

LITHIUM

LiFePO4

LITHIUM (LiFePO4) | High Performance

REF **BSLi-07**



12v VOLTAGE

60Wh ENERGY

300A CCA

TECHNOLOGY

- Lithium Iron Phosphate cells construction
- Pre-charged batteries
- Homologated by OEM

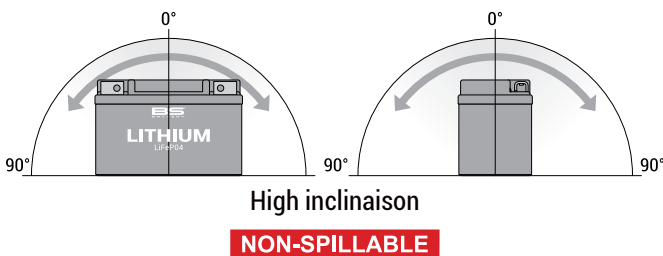
FEATURES

- Fast charging
- Multi-positioning mounting
- Very safe and environmental friendly
- Extensive cycle life: over 2000 cycles
- Very low self-discharge
- Cold temperature performance
- Waterproof design
- Ready to use: just plug and play
- Robust brass terminals
- Heat resistance: up to 230 C°
- Lighter weight

REPLACEMENTS

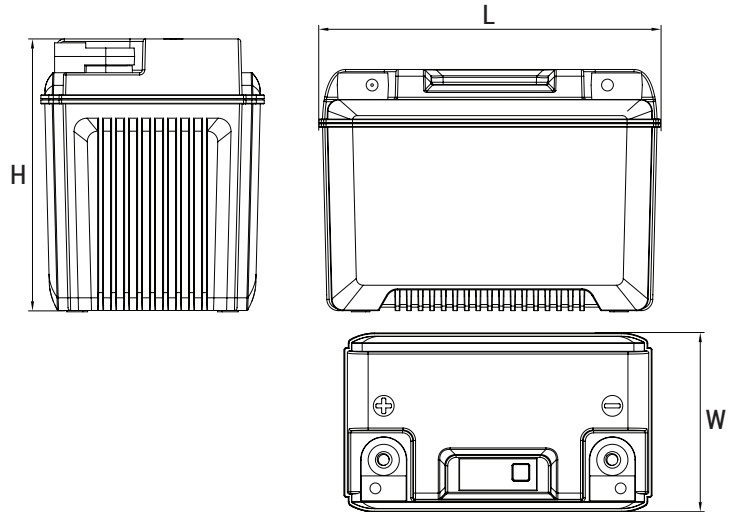
BTX16-BS	BB16B-A1	BB16-B-CX
BTX16-BS-1	HBB16A-AB	BB16C-B
BB16B-A	BB16-B	BB18-A

MOUNTING ANGLE



DIMENSIONS & WEIGHT

Length (L): 148±1mm
 Width (W): 86±1mm
 Height (H): 105±2mm
 Weight: 1.16kg (tolerance ±3%)



TERMINALS

